

FoldTite Systems
now
Manufactures and Sells
Cool-Air Doors
And
Manual Hangar Doors

FoldTite Systems, Inc.
Po Box 2283
Malta, NY 12020
Toll Free 866-580-8980 International 518-580-8980
FAX-518-691-8347—www.FoldTite.com

© 2015 FoldTite Systems, Inc.

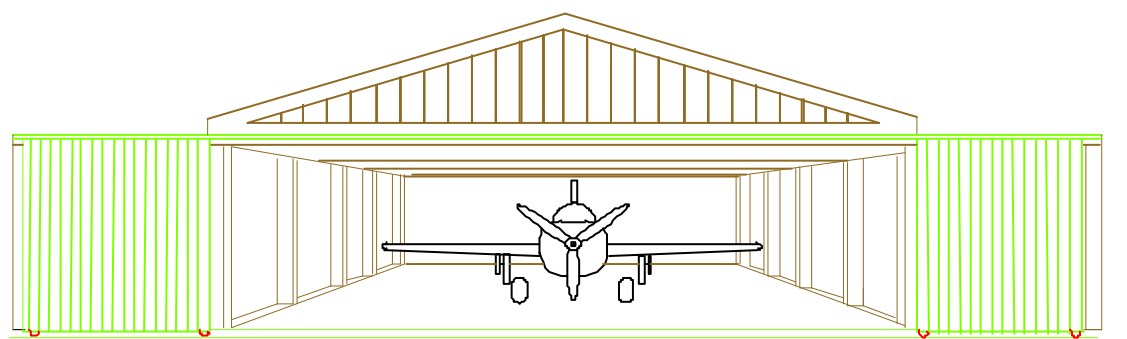
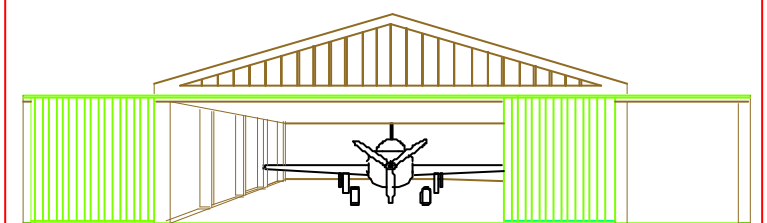
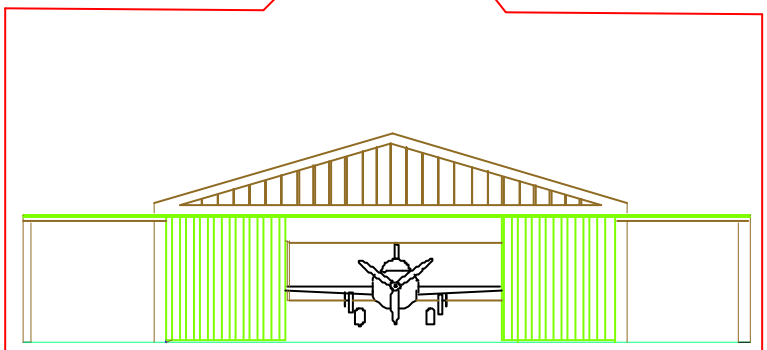
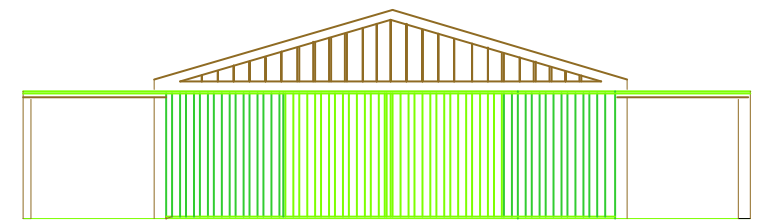


CSA-5.0 BR
CSA-2.5 BR
Bottom Rolling
or
CSA-5.0 TH
CSA-2.5 TH

Easy Moving Economical
Manual Operation

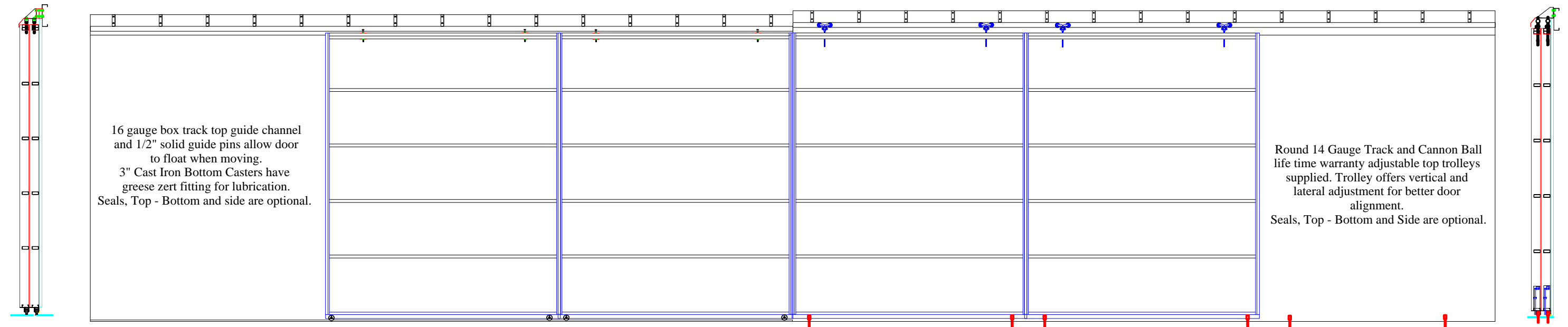
Safe Secure Wind
Resistance.

High quality
Maintenance free
Aluminum framing

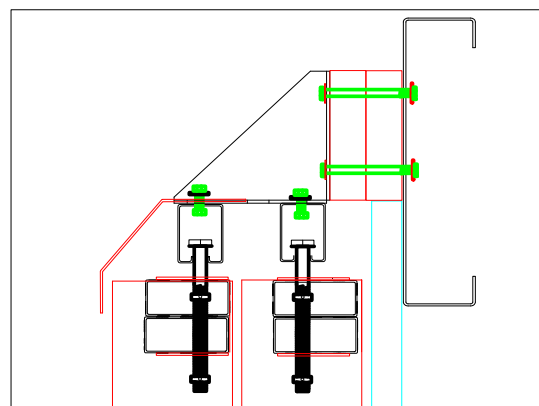


**One Panel, Two Panel Single Tracked doors.
Two, Three and Four Panel Double Tracked Systems.
Outriggers required for maximum opening width.**

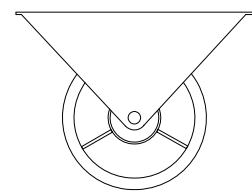
CSA-5.0 designed for larger doors and higher wind load requirements!
CSA-2.5 provides greater economy



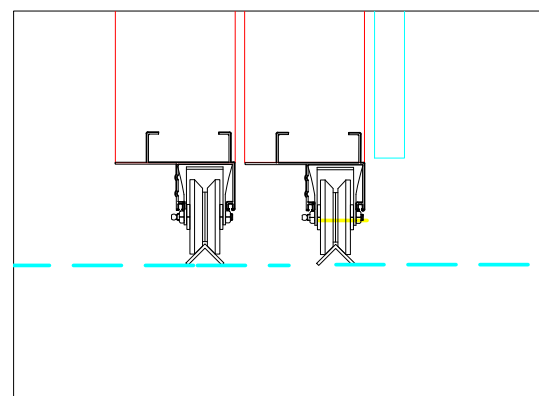
Typical 40' x 12' Door Frame Shown Four Panel - Double Track System for smallest foot print when open.



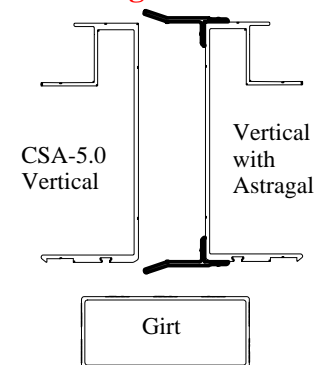
**Bottom Rolling
Bottom Guide
Options**



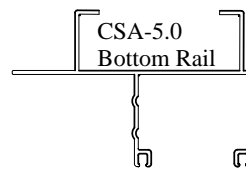
Bottom Rolling Guide Angle is recommended A-36 steel angle at least 1" x 1" and 1/8" wall. we recommend weld strips be placed in the concrete when pouring to allow welding the guide angles for permanent attachment.



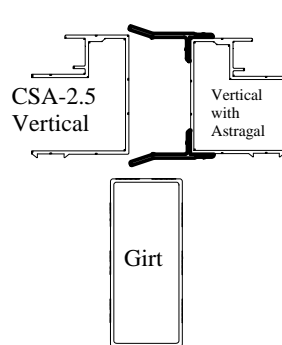
**Heavier Extrusions
mean
Stronger Doors**



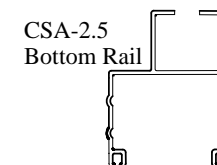
Extruded Components of the CSA-5.0 system have thicker walls than the standard CSA-2.5 for a stronger door with higher wind load capacity. Standard Girt is laid flat for a considerable strength gain.



**Standard Extrusions
mean
Economical Doors**



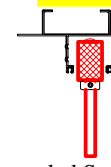
Extruded Components of the CSA-2.5 system have thick walls strong door for typical applications and smaller doors.



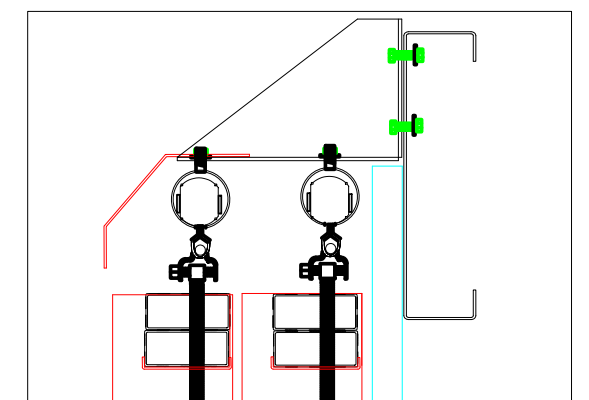
All Verticals and Bottom Rails are pre painted white and 100% maintenance free for life.

**Top Hung
Bottom Guide
Options**

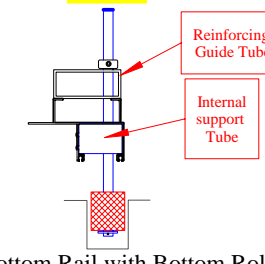
CSR



Concealed Stay Roller secures bottom of door when closed, moving and when open. CSR's can be removed when door is open



RGC



Bottom Rail with Bottom Roller in Recessed Guide Channel Channel is formed in concrete requires no metal insert to rust

