

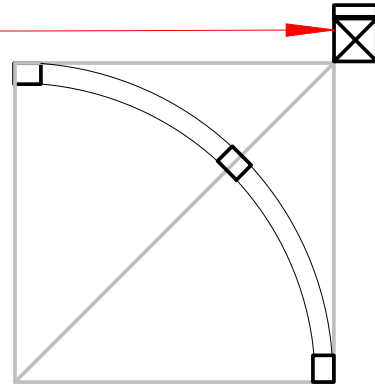
Corner Conditions affecting the Inside Slider.

Indicate conditions for your hangar or opening, if one side is different than the other, note which side is shown and which side is the opposite.

Check off the conditions on each side of the opening and check which option you want for the hinged starter panel or leading trolley for each side.

For unusual or asymmetrical building layouts, please supply sketch of installation.

Opening →



1. Full or maximum opening
Hinged Starter Panel Required

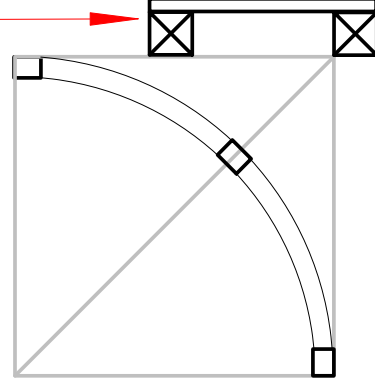
RH - shown

LH

Reduce door width 1" less than RO, 1/2" each side of opening.

Opening →

Less than 40"



2. Small Return Wall
Hinged Starter Panel Required

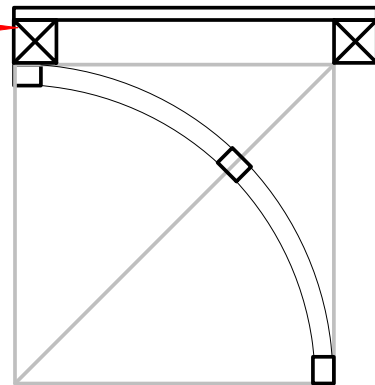
RH - shown

LH

Reduce door width 1" less than RO

Opening →

40"



3. Return Wall maximum 40"

Hinged Starter Panel optional

RH - shown LH

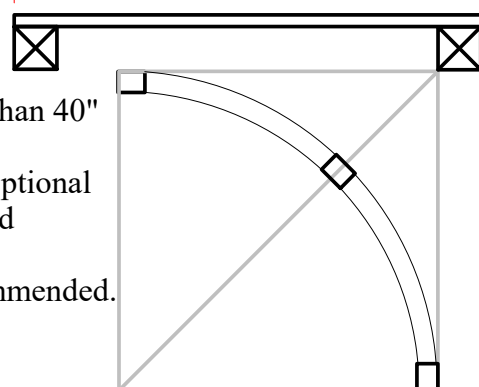
Leading Trolley Optional

RH - shown LH

Increase door width 2" Wider than RO.
Add 3/4" spacer to rear of header.

Opening →

Greater than 40"



1. Return Wall greater than 40"

Hinged Starter Panel Optional but not recommended

RH - shown LH

Leading Trolley recommended.

RH - shown LH

Increase door width 2" Wider than RO.
Add 3/4" spacer to rear of header.